



PRODUCTS PROTECNIC

T-molding Edgebands

T-molding Edgebands

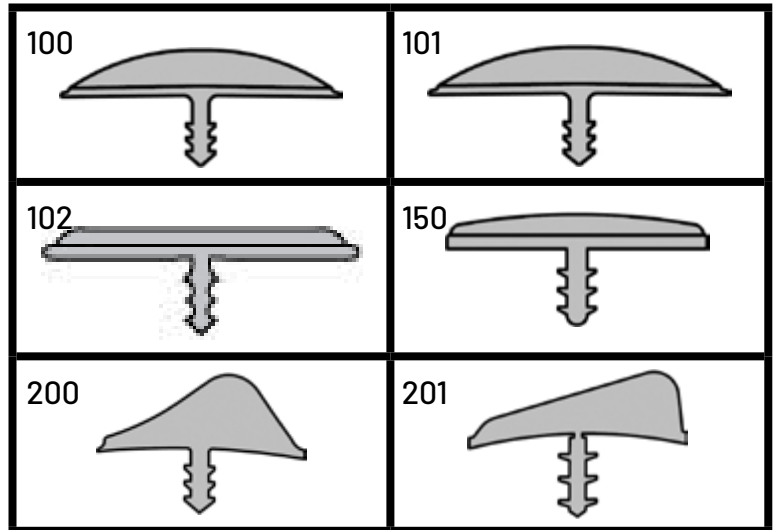
Within our product line we have a built-in PVC and rubber T-molding edgebands with different hardnesses, wich is ideal for adapting to complex shapes.

The possibility of combining different materials offers profiles with a high adaptability to any situation. From children's furniture with extra reinforcement to campervans and motorhomes.



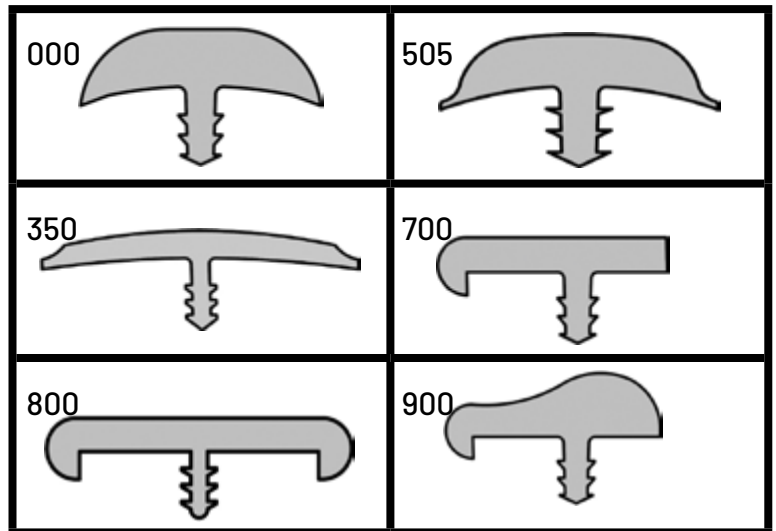
Bi-component material

With the combination of plastic materials we can achieve optimal hardness results D. SHORE 95



One component material

We got a hardness of D. SHORE 90









Avda. Alemania,8, 03420
Castalla, (Alicante) Spain

Telp : (+34)965 561 206
Email: info@protecnic.es

protecnic.es